

SubContractor™ Series SC-12 Subwoofer

Velodyne Acoustics, the #1 rated subwoofer company for over 20 years, now offers the SubContractor Series - a powerful, easy-to-install line of subwoofers with an outboard, rack-mountable amplifier specially designed for any custom installation need.

The SC-12 features a powerful 12" woofer in a compact cabinet. Its small size, shallow depth, and flush rear panel allow it to fit anywhere. It connects to the SC-1250 amplifier with conventional speaker wire, for maximum placement flexibility. The SC-12 can be placed facing downward, for venting through the kick plate of a custom cabinet. No other subwoofers offer the compact, powerful, low-distortion bass of the SC Series!

Features

- Outboard amplification for ease of placement using conventional speaker wire
- Small and shallow – just 14 3/4" x 14 3/8" x 10 1/8" (HWD) including grill and feet
- Front-firing, sealed cabinet can be placed down-firing (feet included)
- Elegant black pica finish
- The matched SC-1250 amplifier can power one or two SC-12 subs (amp sold separately)

Powerful, Linear Drivers

The SC Series employs Velodyne's multi-layer, Kevlar reinforced, resin cones mounted in die-cast aluminum baskets with massive magnet structures. Each driver incorporates Velodyne's unique dual-wound voice coil that assures linear travel and allows for the heat dissipation needed to handle the gigantic power output of the SC-1250 amplifier.

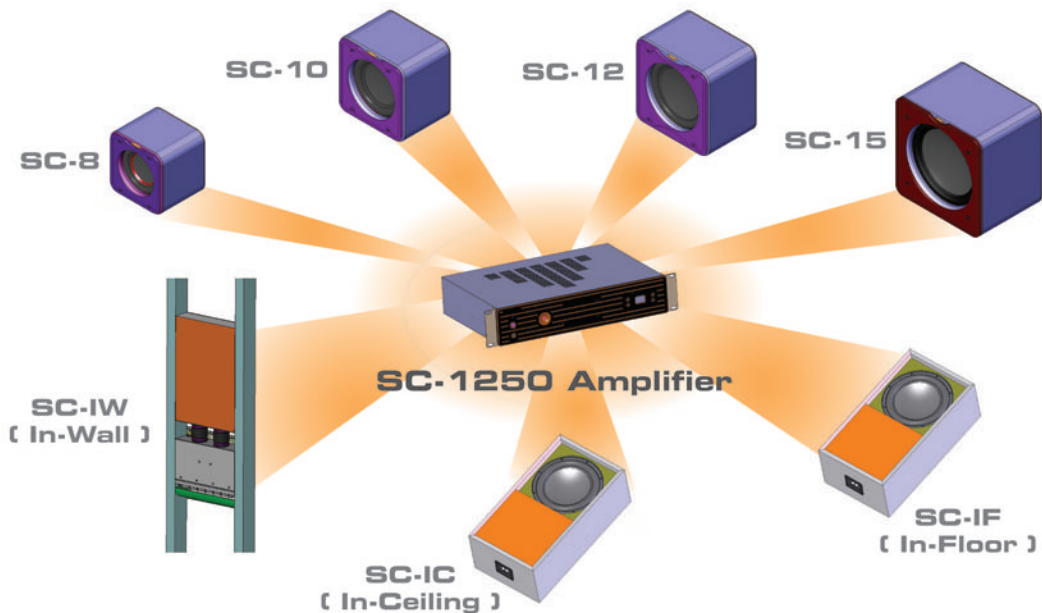
Easy to Install and Configure

Placement of the SC-12 is easy due to its compact size, outboard amplifier, and recessed speaker wire connector. The SC-1250 rack-mountable amplifier features 3000 watts dynamic power and 1250 watts of continuous RMS power. The SC-1250 also comes with DSP control, a built-in 7-band automatic room EQ, 12-volt trigger, IR repeater jack, RS-232 control port (Crestron Certified), and a full-featured remote with factory listening presets. Standard speaker wire is used to connect the SC-1250 to the SC-12. The SC-1250 can power up to TWO SC-12 subs.

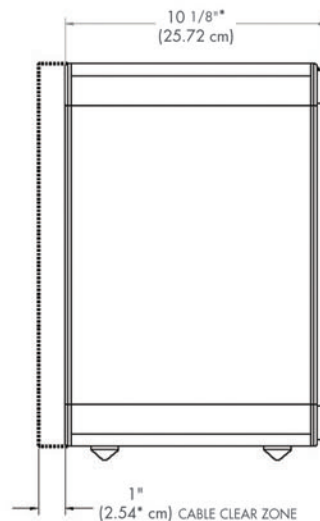
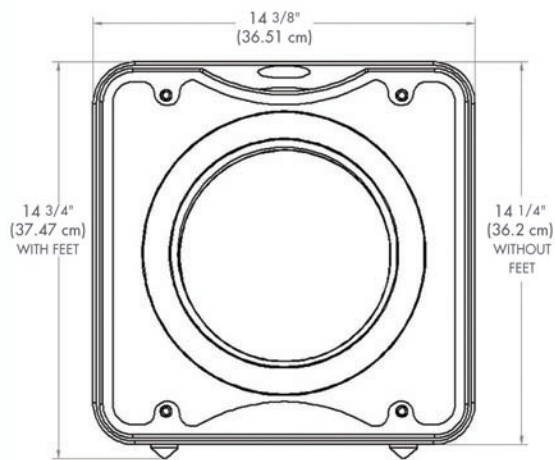


The SubContractor Series Subwoofers — a sub for every situation.

You'll be blown away by the *hidden thunder* of the SubContractor Series subs!



Specifications	SC-12 Subwoofer
Woofer:	12" forward firing (9.7" piston diameter)
Frequency Response: (+/-3 dB)	22-120 Hz
Harmonic Distortion:	<5% (typical)
Magnet Structure:	346 oz. Ferrite (21.6 lbs)
Voice Coil:	3" Dual Layer inner/outer wind
Video Shielded:	Yes
Dimensions (H/W/D): (inc. feet & grill)	14 3/4" x 14 3/8" x 10 1/8" (37.47 x 36.51 x 25.72 cm) *Allow 1-2 extra inches in depth for wire hookup.
Cabinet:	Sealed enclosure
Warranty: (parts/labor)	Two years
Shipping Weight: (approx.)	41 lbs. (26 Kg)
Room Volume Applicability: (Calibrated for high-output bass performance)* <i>*For more conservative listening, room size values may be increased.</i>	Up to 3000 ft ³ : (1) SC-12 3001-3450 ft ³ : (2) SC-12s 3451-3900 ft ³ : (3) SC-12s 3901-4350 ft ³ : (4) SC-12s



Copyright ©2006 Velodyne Acoustics, Inc. Specifications are subject to change without notice. Other trademarks or registered trademarks are property of their respective owners. May 2006

www.velodyne.com

Velodyne Acoustics, Inc.
345 Digital Drive, Morgan Hill, CA 95037
408.465.2800

Velodyne